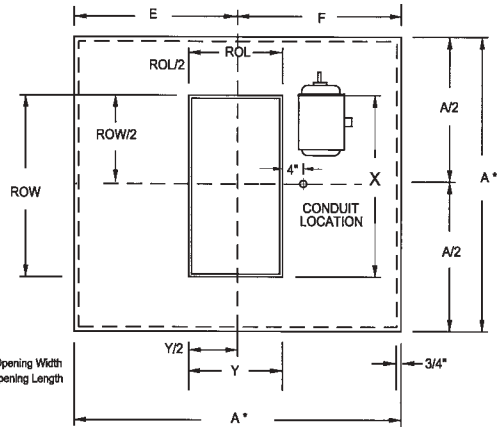
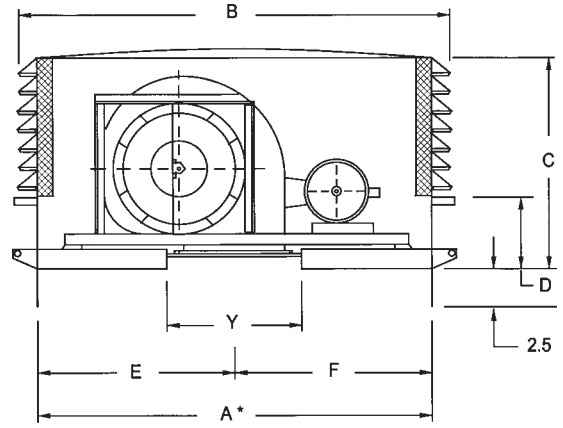




**Model CLS**  
Centrifugal Filtered Supply Fan

- Filtered supply intake fan.
- Modern louvered design preferred by Architects.
- .080 Extruded aluminum louvers (mill finish).
- The blower assembly, base section, and support sections are constructed of heavy gauge steel.
- Fan wheels are backward inclined, non-overloading, double inlet type.
- Equipped with 2" aluminum washable filters
- Motor bases are slide-adjustable for ease of maintaining proper belt tension.
- Removable insulated aluminum top for easy access to blower, drives, filters, and motor.
- Fan Capacity Ratings Based on Tests  
Made in Accordance With AMCA Std 211

**ROMLA VENTILATOR CO.**  
9668 Heinrich Hertz Drive • Unit D  
San Diego, California 92154  
Ph (619) 946-1224 Fax (619) 946-1227



ROW = Roof Opening Width  
ROL = Roof Opening Length

UNIT SIZE	A*	B	C	D	E	F	Duct/Damper		Min. Roof Open		NOMINAL FILTERS	TIERS	WT
							X	Y	ROW	ROL			
12	46	54	36.50	12	21	25	18	14	22	18	(4)16x20 (4)20x20	5	425
13	52	60	36.50	12	22	30	20	16	24	20	(8) 20x20	5	475
15	58	66	36.50	12	24	34	22	16	26	20	(8) 20x25	5	650
16	58	66	36.50	12	26	32	24	18	28	22	(8) 20x25	5	715
18	64	72	41	12	29	35	26	20	30	24	(8)20x25 (4)16x25	6	905
20	70	78	46	17	31	39	30	22	34	26	(8)20x25 (4)16x25	6	1000
22	70	78	46	17	34	36	32	24	36	28	(8)20x25 (4)16x25	6	1100
24	76	84	51	13	36	40	36	26	40	30	(12)16x20 (12)20x20	8	1650
27	82	90	55	17	40	42	40	30	44	34	(12)16x25 (12)20x25	8	1900
30	88	96	59.50	17	44	44	44	32	48	36	(24) 20x25	9	2300
33	88 X 96	96 x 104	65	18	48	48	48	36	52	40	(16)20x20 (16)20x25	10	2600
36	88 X 106	96 x 114	69.50	18	51	55	52	40	56	44	(16)20x20 (16)20x25 (4)16x25	11	3200

\*Dimension "A" is the inside dimension of the curb cap. The O.D. roof curb should be 1-1/2" less than the curb cap to allow for roofing.

QTY.	MODEL	TAG	CFM	SP	RPM	OV	HP	VOLTS	PH	HZ	TYPE	OPTIONS

<p><b>PROJECT:</b> <b>LOCATION:</b> <b>SUBMITTED BY:</b> <b>DATE:</b></p>	<p><b>CONTRACTOR:</b> <b>ENGINEER:</b> <b>APPROVED BY:</b> <b>DATE:</b></p>
---	---