



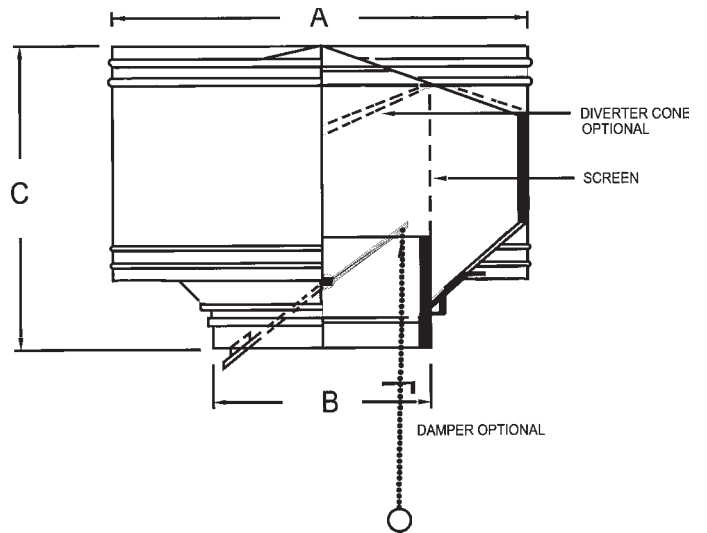
**Model RS
Stationary Ventilator**

- Designed for Gravity or Relief Ventilation.
- Conforms to Corp of Army Engineers Bulletin CE220.09 for Gravity Ventilators.
- Withstand Stresses Developed by Winds up to 85 Miles Per Hour.
- Weatherproof and Stormproof Under All Normal Operating Conditions.
- 1/2" Mesh 19 Gauge Galvanized Birdscreen Standard
- Manufactured from Galvanized Steel Conforming to Specification QQ-1-716 or Aluminum Alloy Sheets meeting QQ A 359.

ROMLA VENTILATOR CO.
9668 Heinrich Hertz Drive • Unit D
San Diego, CA 92154
Ph: (619) 946-1224 Fax: (619) 946-1227

Options & Accessories

- AE -Air dry enamel finish
- RB -Roof base
- DT -Disc damper in throat
- IS - Insect screen
- DC -Diverter cone
- QO -Quadrant operator



DIMENSION - GAUGES					
MODEL	A	B	C	GAUGES	
				Galv.	SS
RS-6	10	6	8-1/2	26	.032
RS-8	13	8	9-1/2	26	.032
RS-10	16	10	11	26	.032
RS-12	19	12	13	24	.032
RS-14	22	14	14	24	.032
RS-16	25-1/2	16	15	24	.032
RS-18	30	18	18-1/2	24	.032
RS-20	32	20	19-1/2	24	.032
RS-24	38	24	22-1/2	24	.040
RS-30	48	30	24-1/2	22	.040
RS-36	56	36	29	22	.040
RS-42	65-1/2	42	35	20	.050
RS-48	75	48	35	20	.050
RS-54	81	54	41	20	.050
RS-60	90	60	42	18	.050
RS-72	108	72	50	18	.050

QTY	MODEL	EXHAUST CFM	WIND SPEED	STACK HEIGHT	TEMP. DIFF.	MATERIAL		ACCESSORIES	MARK
						ZINC ALUM	SS		

<p>PROJECT: LOCATION: SUBMITTED BY: DATE:</p>	<p>CONTRACTOR: ENGINEER: APPROVED BY: DATE:</p>
--	--