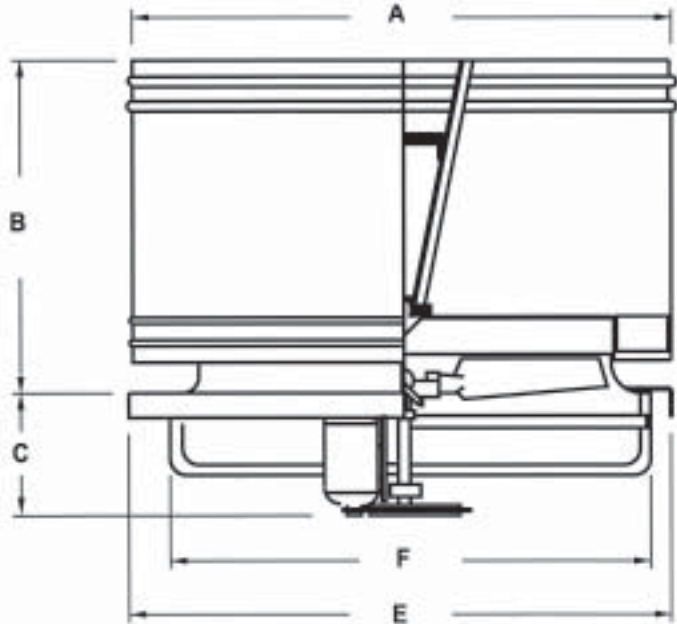




Model VS
Upblast Roof Exhauster

- High performance six-bladed steel propeller.
- Belt drive
- Butterfly dampers provide weather protection and prevent backdrafts when fan is not in operation.
- Self-aligning pillow block bearings
- All welded motor and drive assembly
- Protective paint coating on fan exterior.
- Tested and rated in accordance with AMCA publication 211.
- UL 705 (must be specified)



ROMLA VENTILATOR COMPANY
9668 Heinrich Hertz Drive • Unit D
San Diego, California 92154
Ph (619) 946-1224 Fax (619) 946-1227

Available Options:

- DO -Fusible link activated damper opener
- OG -Outlet guard
- IG -Inlet guard
- MDL -Magnetic damper latches
- CF8 -Type CF roof curb 8" high
- SF8 -Type SF roof curb 8" high
- EC -Epoxy Coating

SIZE	A	B	C	E	F	STEEL GAUGE		WT
						CURB CAP	WIND BAND	
24	30	19	15	30	24	16	20	170
30	36	22	16	36	30	16	20	205
36	42	25	19	42	36	16	20	300
42	48	28	20	48	42	1	20	375
48	54	31	23	54	48	14	20	450
54	60	35	23	60	54	12	20	600
60	66	38	19	66	60	12	18	725

SPECIFICATIONS

MARK	MODEL	NO REQ'D	HP	SP	FAN RPM	VOLTS	HZ	TYPE	CFM	ACCESSORIES

<p>PROJECT: LOCATION: SUBMITTED BY: DATE:</p>	<p>CONTRACTOR: ENGINEER: APPROVED BY: DATE:</p>
--	--