

Ridge Ventilators



RIDGE VENTILATORS

RV and RCV SERIES

Romla Ridge Ventilators are ideal for steel buildings and other applications requiring an inconspicuous high volume exhaust vent. Install on peaks, flat roofs or on curbs.

The RV Series is a standard 10' section, complete with end caps for single unit installations. The RCV Series is a continuous ventilator, and the 10' sections are spliced together with Join Plates to provide any required length. All assembly is easily performed from the roof except for joining the damper operator bars.

Knockdown construction is available for overseas or distant shipping points. Complete drawings and installation instructions are provided for both knockdown and assembled units.

ACCESSORIES

Optional dampers can be provided as illustrated on the opposite page. Operators of both types 1 and 2 are trouble free, and damper raises and lowers to any position.



*RCV SERIES
Continuous Ridge Ventilator*

BIRDSCREENS

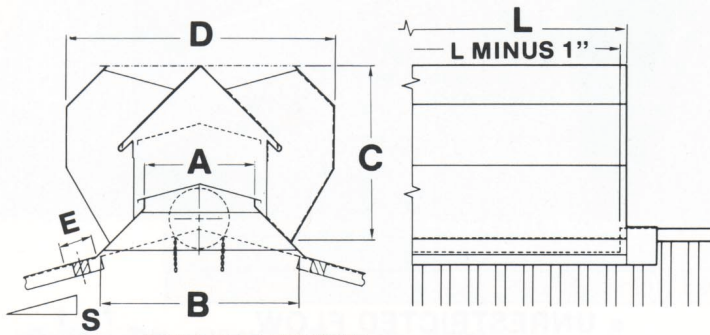
Removable birdscreens are available at 1/2" mesh x 19 ga. galvanized wire or .051 expanded aluminum.

PAINTING

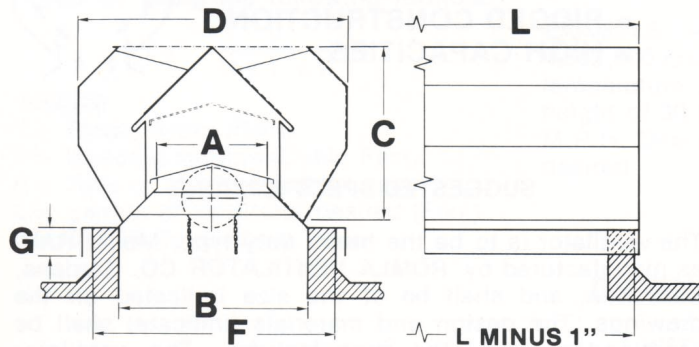
Optional high-adhesion white enamel and other colors available at extra cost.

★CAPACITY — CFM PER LINEAL FOOT								
STACK HEIGHT	TEMP. DIFF.	RV-4	RV-6	RV-9	RV-12	RV-15	RV-18	RV-24
10'	10	103	155	232	310	387	465	620
	15	108	162	243	325	406	487	650
	20	110	165	248	331	413	496	662
	25	112	167	250	334	417	501	668
	30	115	173	260	347	433	520	694
20'	10	109	166	248	331	414	497	662
	15	114	173	259	345	431	519	690
	20	119	180	270	360	449	540	720
	25	121	185	277	369	461	554	738
	30	128	194	291	388	484	581	776
30'	10	114	173	259	345	431	519	690
	15	120	181	272	363	454	545	726
	20	128	194	291	388	484	582	776
	25	133	201	303	403	505	605	806
	30	140	213	320	427	532	640	854
40'	10	119	180	270	359	449	540	718
	15	128	194	291	388	484	582	776
	20	134	204	306	408	510	612	816
	25	145	220	331	441	552	661	882
	30	154	234	351	468	585	703	936

★Based on 5 mile wind conditions and 150% inlet area of building to ventilator area



RIDGE TYPE

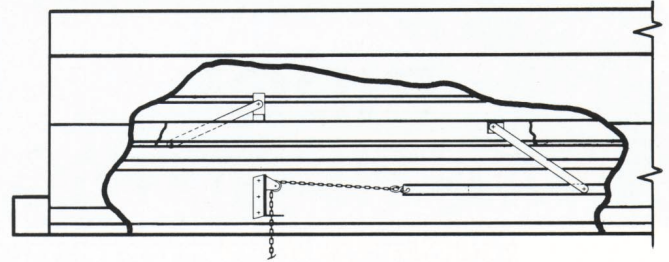


CURB TYPE

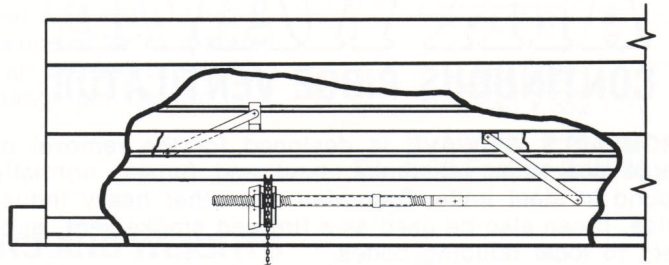
MODEL	A	B	C	D	E	F MAX.		*GALV. GA.
RV-4	4	11-1/8	7	10-3/4	2-7/8	15-1/8	2	24
RV-6	6	13-1/8	10-1/4	15	2-7/8	17-1/8	2	24
RV-9	9	16-1/8	14-1/4	22	2-7/8	20-1/8	2	24
RV-12	12	22-1/2	18-1/4	28-3/4	3-1/4	26-1/2	2	24
RV-15	15	25-5/8	24	36	3	29-5/8	2	22
RV-18	18	35-1/2	30	44	4	43-1/2	3	20/22
RV-24	24	44	38-1/2	58	5	52	3	20/22

*Inner Support Structures are 18 and 20 GA.

DAMPER OPERATORS



Type 1 is a pull to open, release to close operator for RV series single units. A chain catch is provided in the ventilator with 20' chain as standard length. Not to be used for more than one 10' section.



Type 2 damper is for continuous RCV series. The chain sprocket gear operates an Acme threaded screw to provide added leverage for operating many sections. See schedule below. Standard chain length is 40' (20' loop).

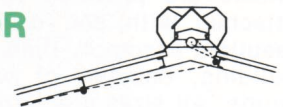
MAXIMUM LENGTH PER OPERATOR TYPE 2 ONLY

RV-4	RV-6	RV-9	RV-12	RV-15	RV-18	RV-24
100'	100'	100'	70'	50'	50'	30'

WEIGHT PER 10' SECTION

68	86	108	169	253	294	462
----	----	-----	-----	-----	-----	-----

OPTIONAL OPERATOR ARRANGEMENT



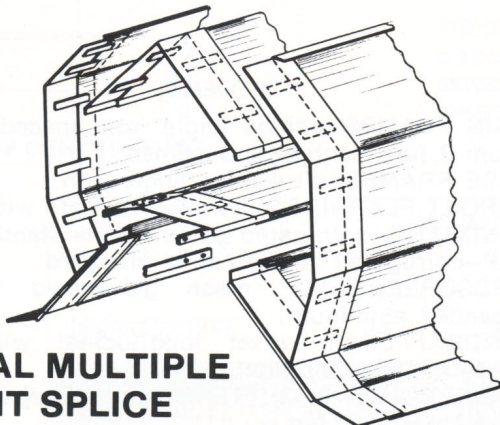
When standard below-the-unit operation of dampers is prohibitive, optional remote damper controls can be supplied. This is accomplished by diverting the chain to column or sidewall with idler pulleys. Type 1 operator requires single wheel pulleys and chain catch. Type 2 operator requires a chain diverting assembly and double wheel pulleys. Idler pulleys should be spaced approximately 10 feet apart and also where ever a change of direction is required.

SHORT FORM SPECIFICATIONS

Furnish and install where indicated on drawings, ROMLAIR Model (*RV or RCV) Ridge Ventilators as manufactured by Romla Company, Gardena, California. Specify if dampers or screen is required.

* Preceding the throat width is the Model number indicating RV for single units or RCV for continuous ventilators.

Slip type Join Plates provide a unique arrangement for joining RCV series units. Romlair's method permits sections to telescope together without the need for separate fasteners.



**TYPICAL MULTIPLE
UNIT SPLICE**