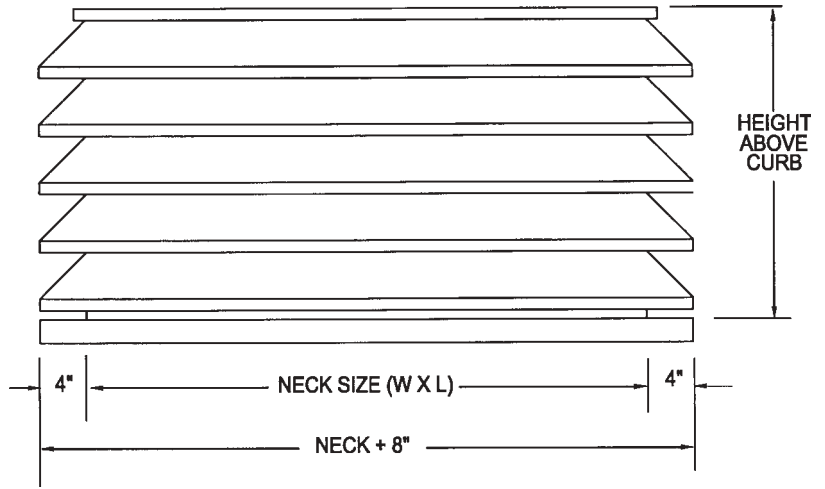




**Model RPV
Penthouse Ventilator**

- Modern Louvered Design Preferred by Architects.
- Exhaust Relief or Air Intake Ventilation.
- .080 Extruded Aluminum Louvers (Mill Finish).
- .080 Extruded Aluminum Base (Mill Finish).
- Heavy Gauge Aluminum Top (.063).
- 1/2" Mesh Galvanized Birdscreen.
- Type A - Completely Assembled Construction with Corners Mitered and Welded.
- Type K.D. - Knocked Down Construction with Welded End Plates for Quick and Easy Bolt Together Assembly.

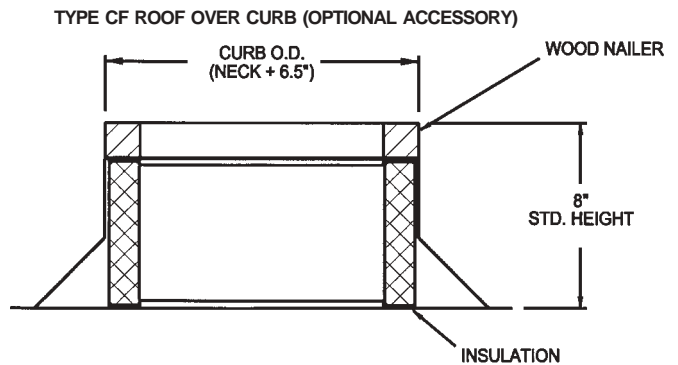


MODEL RPV TYPE "A" CONSTRUCTION

ROMLA VENTILATOR CO.
9668 Heinrich Hertz Drive • Unit D
San Diego, California 92154
Ph (619) 946-1224 Fax (619) 946-1227

Abbreviation for Accessories

- CF-8 -Type CF roof curb 8" high
- SF8 -Type SF roof curb 8" high
- ACC -Anti-condensate coating
- FI - 1/2" Fiberglass insulation
- ABS -Aluminum birdscreen
- IAF -Intake filters
- ISC -Insect screen
- ADE -Air dry enamel
- RBD -Backdraft Damper (upflow only)
- RBDM -Motorized damper (upflow only)
- RBDS -Backdraft Damper (downflow only)



NOTE: ON SF TYPE CURB (NECK + 7.5")

QTY	NECK DIMENSION		HEIGHT ABOVE CURB	NO TIERS	CFM	SP DROP	APPLICATION		TYPE A	TYPE K.D.	ACCESSORIES
	WIDTH	LENGTH					RELIEF	INTAKE			

<p>PROJECT: LOCATION: SUBMITTED BY: DATE:</p>	<p>CONTRACTOR: ENGINEER: APPROVED BY: DATE:</p>
------------------------------------------------------------------------------------------	--------------------------------------------------------------------------------------------