



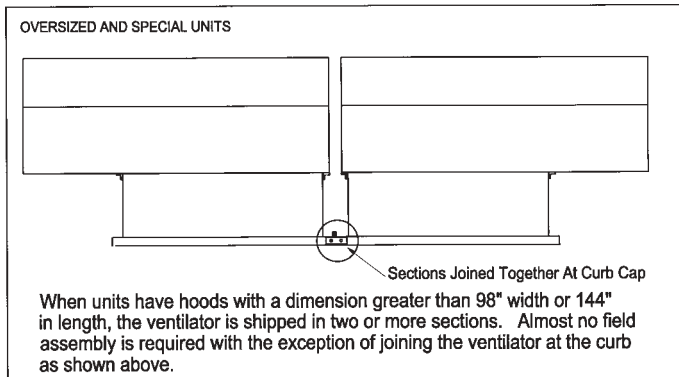
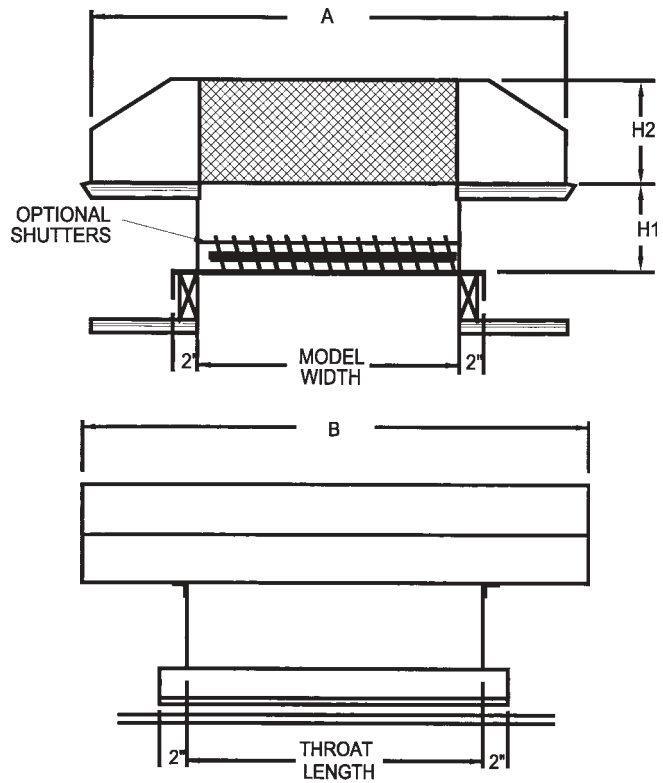
Model STG & STA
Gravity Relief-Intake Ventilator

- Low silhouette design preferred by architects.
- Galvanized steel construction-**Model STG**
Aluminum construction-**Model STA**
- 1/2" mesh galvanized birdscreen.
- Hoods on larger units reinforced with interior structural steel supports.
- Vertical base seams are continuously welded on larger units-spot welded seams on smaller sizes.
- Hood fastened to throat with sheet metal fasteners for easy removal.
- Integral curb cap.
- Mill finish

ROMLA VENTILATOR CO.
9668 Heinrich Hertz Drive • Unit D
San Diego, CA 92154
Ph: (619) 946-1224 Fax: (619) 946-1227

Options & Accessories

- CF8 -Type CF roof curb 8" high
- SF8 -Type SF roof cur 8" high
- ACC -Anti-condensate coating
- ABS -Aluminum birdscreen
- ISC -Insect screen
- ADE -Air dry enamel
- ESC -Extra strenght constr. (100 mph)
- RBD -Backdraft damper (exhaust only)
- RBDS -Backdraft damper (supply only)



SPECIFICATIONS

QTY	MODEL PLUS THROAT WIDTH X LENGTH	HOOD SIZE A X B	HEIGHT H1 PLUS H2	MATERIAL		CFM	THROAT VELOCITY	PRESSURE DROP	NO SECTIONS	ACCESSORIES
				GALV.	ALUM.					

PROJECT: LOCATION: SUBMITTED BY: DATE:	CONTRACTOR: ENGINEER: APPROVED BY: DATE:
---	---