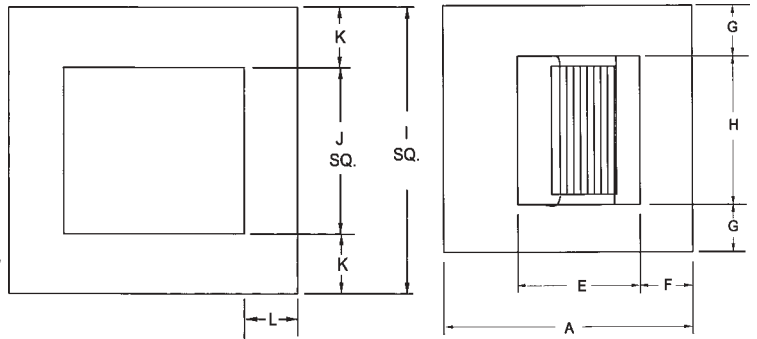
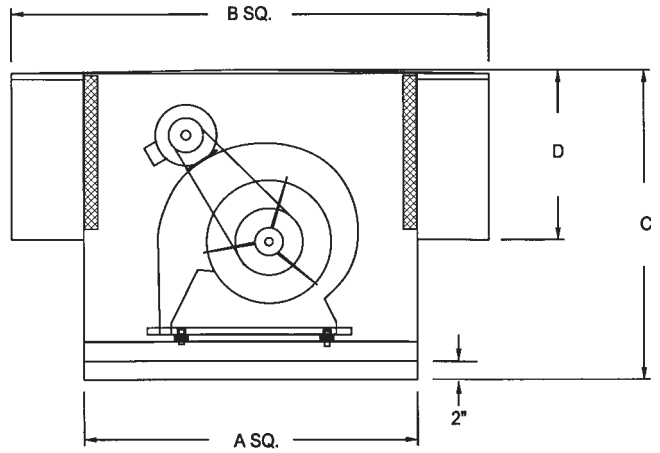




Model RCF
Filtered Roof Supply Fan

- Sturdy Heavy Gauge Galvanized Steel Housing.
- Hood Designed to Provide Unrestricted Airflow and Maximum Weather Protection.
- One Inch Washable Aluminum Filters.
- Blower is a Double Width, Double Inlet (DWDI) Forward Curve Centrifugal Type.
- Entire Fan and Motor Assembly is Mounted on Rubber Mounts to Prevent Noise Transmission into the Building.
- Fan Capacity Ratings Based on Tests Made in Accordance With AMCA Std 211



ROMLA VENTILATOR CO.
9668 Heinrich Hertz Drive • Unit D
San Diego, California 92154
Ph (619) 946-1224 Fax (619) 946-1227

- Abbreviation for Accessories**
- CF-8** -Type CF roof curb 8" high
 - ED** -Backdraft Damper
 - MBD** -Motorized damper 1/115v
 - DCS** -Disconnect switch NEMA 1
 - 2FIL** -2" Aluminum Filters

OPTIONAL DUCT ADAPTER

BASE OF UNIT

FAN SIZE	A SQ.	B SQ.	C	D	E	F	G	H	I SQ.	J SQ.	K	L	NOMINAL FILTERS	WT.
9	24.38	32.38	24.38	10.25	10.25	7.06	6.28	11.81	22.50	12.25	5.13	5.13	(4) 10 X 20	230
20	28.38	38.5	28.25	12.25	11.38	8.50	7.63	13.13	26.50	14.25	6.13	6.13	(4) 12 X 24	250
12	32.38	42.63	31.38	16.50	13.44	9.47	8.38	15.63	30.50	16.25	7.13	7.13	(4) 16 X 25	290
15	32.38	42.63	31.38	16.50	15.88	10.25	6.88	18.63	30.50	20.25	5.13	7	(4) 16 X 25	330
18	36.38	48.31	37.25	20.75	18.88	11.50	7.25	21.88	34.50	24.25	5.13	7.50	(4) 20 X 15	450
20	44.38	64	49	27	24.75	5.19	9.81	24.75	42.50	30.25	6.13	3.375	(4) 16 X 25 (4) 20 X 20	700

SPECIFICATIONS

QTY.	MODEL	TAG	CFM	SP	RPM	OV	HP	VOLTS	PH	HZ	TYPE	OPTIONS

<p>PROJECT: LOCATION: SUBMITTED BY: DATE:</p>	<p>CONTRACTOR: ENGINEER: APPROVED BY: DATE:</p>
--	--