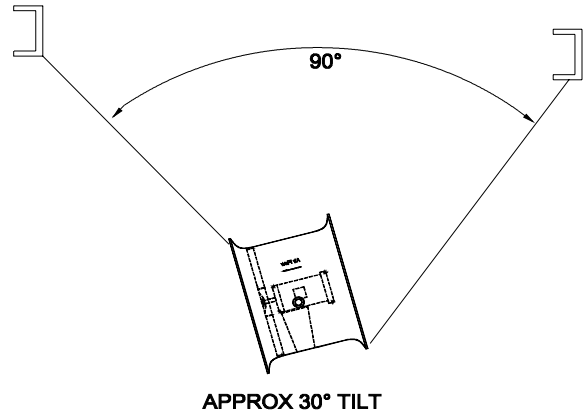
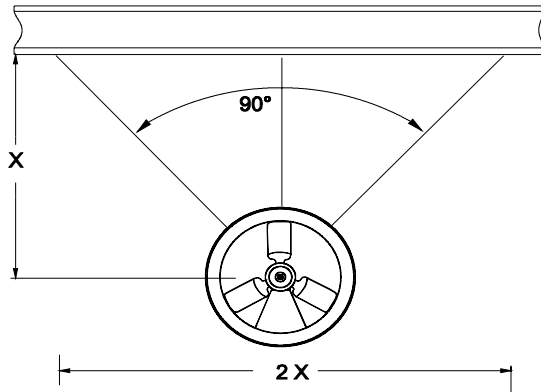


INSTALLATION AND MAINTENANCE INSTRUCTIONS MODEL AF-CS CHAIN SUSPENDED MOUNTING



MODEL AF-CS CHAIN SUSPENDED FANS

When suspended from above, these high velocity fans provide an even stream of air around the work area.

SHIPPING INSPECTION

Upon receiving unit, check for any damage and report it immediately to the shipper. Also check to see that all accessory items are accounted for.

INSTALLATION

A Romlair chain suspended fan can be suspended in many different ways. What is most important is that the fan must be hung at the three points provided by eye bolts on the fan. Also verify the materials used to suspend the fan should be rated for the proper operating weight of the fan and workload.

1. The fan is shipped with the 3 eyebolts fastened to the fan and pointed in. Remove the 3 eyebolts and turn them around so that they are pointed out. This will provide more stability.
2. With the assistance of a mechanical lift, bring the factory assembled fan to the spot you wish to suspend. It is recommended that you take 3 lengths of chain, chains connectors, hardware, and cutter with you.
3. From the point of desired fan location, secure 2 of the lengths of chain to the beam approximately 2 times the distance the fan will be hanging down from the beam. (SEE ILLUSTRATION). Center the third length of chain between the two front lengths of chain. Secure the chains to the beams.
4. Connect the chains to the eyebolts of the fan using the chain connectors.
5. Point the fan on your target area while still on the mechanical lift.

6. Request a co-worker to stand at the target area. Have another person plug the fan in and let the fan run for approximately 30 seconds. Adjust the fan with someone at the target area, someone at the fan, and someone at the power. CAUTION: DO NOT ADJUST FAN WHILE IT IS OPERATING.
7. Cut off any excess chain.

FAN GUARDS

1/2" mesh guards are provided as standard. These guards may need to be removed to access the motors internal wiring. When removing the guards, leave one of the self tapping screws in place so that the guards can rotate around on the one screw. This makes it easily to re-insert the screws when you are ready to secure the guards after wiring the motor.

SINGLE AND THREE PHASE MOTORS

Single phase 115v units are standard with a 12 foot cord and connector for standard 115v electrical outlets. Three phase units are not supplied with cord and connector. These will need to be supplied with an appropriate cord and connector or hard wired directly to 3 phase power.

PROPER FAN ROTATION

Check fan rotation upon startup. Standing in front of fan, the blade should be turning clockwise. If rotation needs to be reversed this usually can be accomplished by reversing the connection wires.

IMPORTANT SAFETY INFORMATION

1. Comply with all local, state and federal codes. Verify that the phase and voltage confirm to the motor and name plate information.

2. Motor needs to be adequately grounded.

3. Disconnect all remote power sources before performing any maintenance